



Features

Switching	Random
Output	Back to back SCR with internal snubber
Input	DC
Applications	Motor reversing

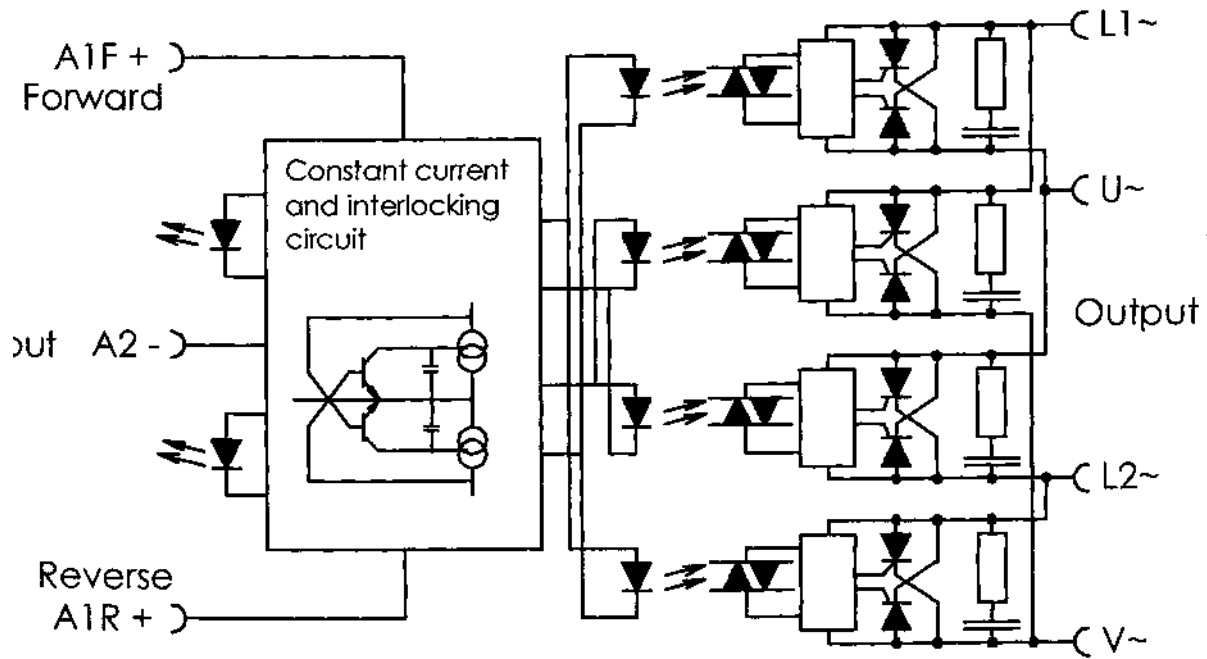
Technical data

WG A0...	12D 10	12D 25	12D 45	16D 10	16D 25	16D 45
Input circuit						
Control voltage range	3...32 VDC					
Control current max	30 mA					
Turn-off voltage min..	1 VDC					
Input resistance	Constant current					
Output circuit						
Load voltage range	48...480 VAC			48...660 VAC		
Peak-off state votage	1200 V _{drm}			1600 V _{drm}		
Off-state leakage current	10 mA eff.					
Load current range	0,1...10 A	0,2...25 A	0,4...45 A	0,1...10 A	0,2...25 A	0,4...45 A
Surge current 1 half wave	110 A _{peak}	230 A _{peak}	500 A _{peak}	110 A _{peak}	230 A _{peak}	500 A _{peak}
I ² t for fusing	60 A ² s	260 A ² s	1250 A ² s	60 A ² s	260 A ² s	1250 A ² s
On-state voltage	1,6 V _{peak}					
Off-state (static) dv/dt	1000 V/μs					
Snubber	47 Ω / 10 nF					

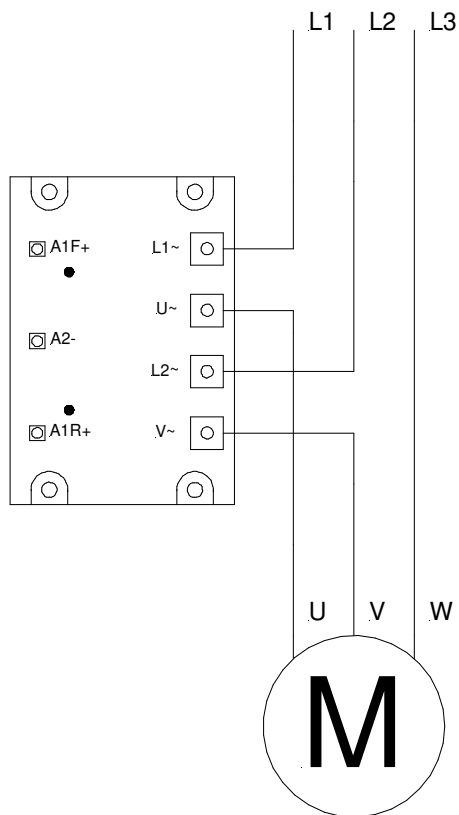
General data

Turn-on time max.	6 ms (@ 24 VDC control voltage)
Turn-off time max.	11 ms
Interlocking time	40...80 ms ()
Line frequency range.	47...63 Hz
Isolation volt. between input/output	4.000 V
Isolation volt. between input-output/ base	2.500 V
Isolation resistance	50 MΩ
Operating temperature	-20...+80 °C
Recommended varistor	COMUS WG MOV 20-400
Approvals	

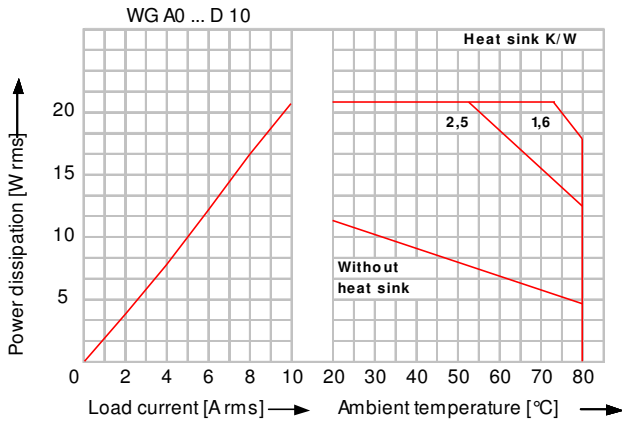
Circuit diagram



Connection diagram

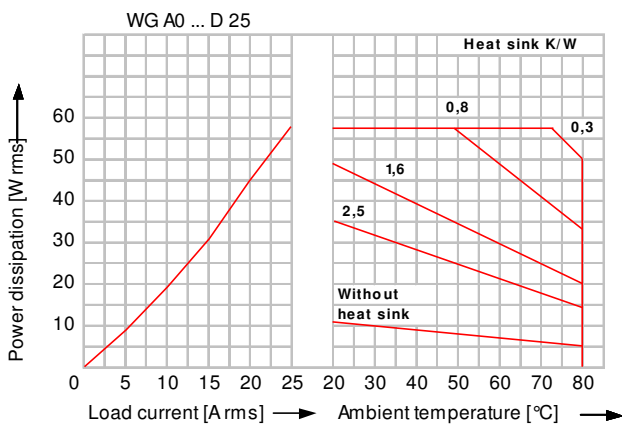


Derating-diagrams



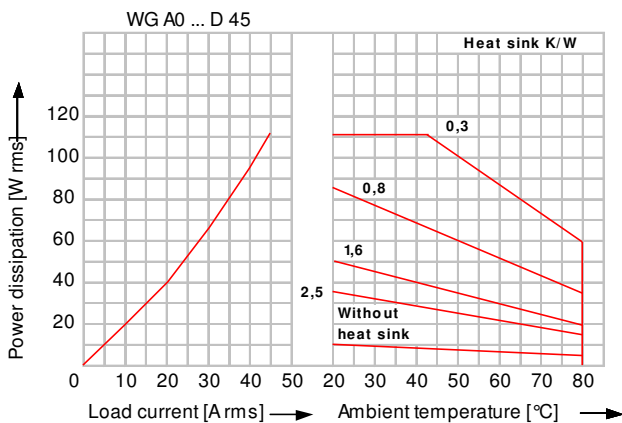
	Load current per 1 SSR
Heat sink	
WG K2/100	8 A
WG K3/160	10 A
WG K4/160L	10 A

Values for 40°C enclosure-temperature and mounted with conduction paste between the SSR and the heat sink



	Load current per 1 SSR
Heat sink	
WG K2/100	8 A
WG K3/160	22 A
WG K4/160L	25 A

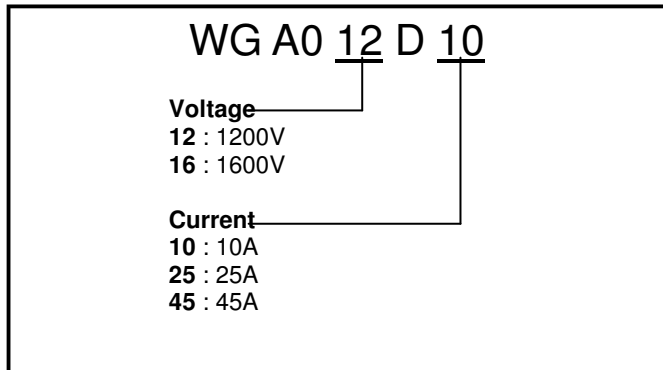
Values for 40°C enclosure-temperature and mounted with conduction paste between the SSR and the heat sink



	Load current per 1 SSR
Heat sink	
WG K2/100	8 A
WG K3/160	24 A
WG K4/160L	45 A

Values for 40°C enclosure-temperature and mounted with conduction paste between the SSR and the heat sink

Ordering



Description	Part Number
Protective case large	8440 5701 770
Thermal Conducting paste	8406 0180 020
Heat sink WG K2/100	5981 5701 110
Heat sink WG K3/160	5981 5701 370
Heat sink WG K4/160L	5981 5701 371
Mounting plate	5981 5701 420